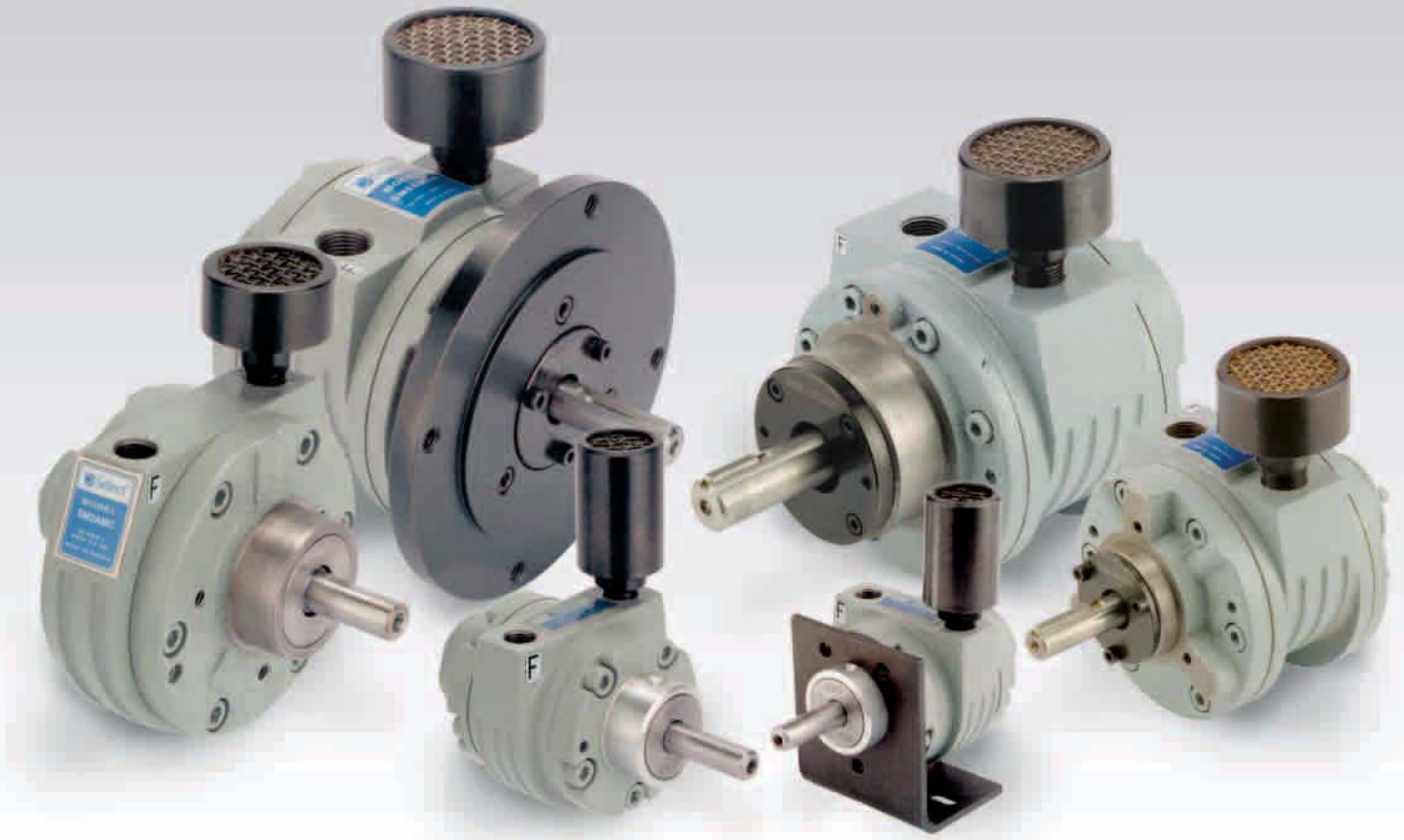


# Select™ Series Air Motors

**DOBCO**  
EQUIPMENT LTD

Toll-Free 1-866-763-6226 Phone: 905-672-5557  
Fax: 905-672-5559 Email: [sales@dobcoeqp.com](mailto:sales@dobcoeqp.com)

.3HP – 5HP Direct Drive Air Motors



**IR** Ingersoll Rand  
Industrial Technologies

 **Select**™  
SERIES FLUID PRODUCTS



Toll-Free 1-866-763-6226 Phone: 905-672-5557  
Fax: 905-672-5559 Email: sales@dobcoeqp.com

## Select Advantages...

Select Series Air Motors are designed for applications where direct drive motors can be utilized and offer several advantages over electric motors and other brands of air motors.

- Select Air Motors have a continuous duty rating. This means the motor can be run continuously or it can start and stop repeatedly in applications where electric motors can burn out.
- Air motor operation is well suited for high temperature and hazardous environments where standard electric motors are not allowed.

Select Series Air Motors can be found in many applications throughout every industry.

- Air Fans
- Air Ventilators
- Concrete Saws
- Drum Deheaders
- Hole Cutters
- Mixers
- Pumps
- Screw Jacks
- Spray Guns



...a Durable and Economic Solution

## Specifications



Toll-Free 1-866-763-6226 Phone: 905-672-5557  
 Fax: 905-672-5559 Email: sales@dobcoeqp.com

| Series     | Max Power |      | Speed at Max Power | Free Speed | Starting Torque |      | Stall Torque |      | Air Consumption at Max. Power |                   | Weight |      |
|------------|-----------|------|--------------------|------------|-----------------|------|--------------|------|-------------------------------|-------------------|--------|------|
|            | hp        | kw   | rpm                | rpm        | lb.-ft.         | Nm   | lb.-ft.      | Nm   | scfm                          | m <sup>3</sup> /m | lb.    | kg   |
| reversible |           |      |                    |            |                 |      |              |      |                               |                   |        |      |
| SM1AM      | 0.33      | 0.25 | 7600               | 15,200     | 0.29            | 0.39 | 0.38         | 0.52 | 17                            | 0.5               | 1.5    | 0.7  |
| SM1UP      | 0.60      | 0.37 | 6000               | 12,500     | 0.45            | 0.6  | 0.6          | 0.81 | 42                            | 1.2               | 1.75   | 0.8  |
| SM2AM      | 0.88      | 0.66 | 3000               | 8,070      | 1.7             | 2.3  | 2.3          | 3.1  | 48                            | 1.4               | 7.5    | 3.4  |
| SM4AM      | 1.5       | 1.1  | 3000               | 7900       | 2.6             | 3.5  | 4.1          | 5.6  | 67                            | 1.9               | 8.25   | 3.7  |
| SM6AM      | 3.6       | 2.7  | 3000               | 7900       | 5.3             | 7.2  | 8.7          | 11.8 | 120                           | 3.4               | 16.25  | 7.4  |
| SM8AM      | 4.8       | 3.6  | 2500               | 7000       | 10              | 13.6 | 14           | 19   | 152                           | 4.3               | 22.5   | 10.2 |

## Model Designation Breakout

| Select Series Air Motor | Power Series             | Shaft/Interface  | Rotation   | Mounting                             |
|-------------------------|--------------------------|--|--|--------------------------------------|
| SM                      | 1AM<br>1UP               | A = Round shaft w/ square key<br>(Round shaft on SM1AM series)                   | L=Left Hand Bias (CCW)<br>R=Right Hand Bias (CW) | N=NEMA mount<br>None= Face or        |
| Footmount               | 2AM<br>4AM<br>6AM<br>8AM | B = Round shaft with Woodruff Key (#3)<br>C = Round shaft with flat on the shaft | None=Reversible                                  | (Footmount is an optional accessory) |

## Equipment Options

| Series | Furnished with Cataloged Models                                       | Optional Accessories  |
|--------|---|-----------------------|
| SM1AM  | 3 Hole Face Mounting<br>Muffler                                       | SM1AM-AG587 Footmount |
| SM1UP  | 3 Hole Face Mounting<br>Muffler                                       | SM1AM-AG587 Footmount |
| SM2AM  | 3 Hole Face Mounting<br>Muffler<br>NEMA 56C Flange with Model SM2AMAN | SM2AM-AH636 Footmount |
| SM4AM  | 3 Hole Face Mounting<br>Muffler<br>NEMA 56C Flange with Model SM4AMAN | SM4AM-AH634 Footmount |
| SM6AM  | 3 Hole Face Mounting<br>Muffler<br>NEMA 56C Flange with Model SM6AMAN | SM6AM-AH634 Footmount |
| SM8AM  | 3 Hole Face Mounting<br>Muffler<br>NEMA 56C Flange with Model SM8AMAN | SM8AM-AH640 Footmount |

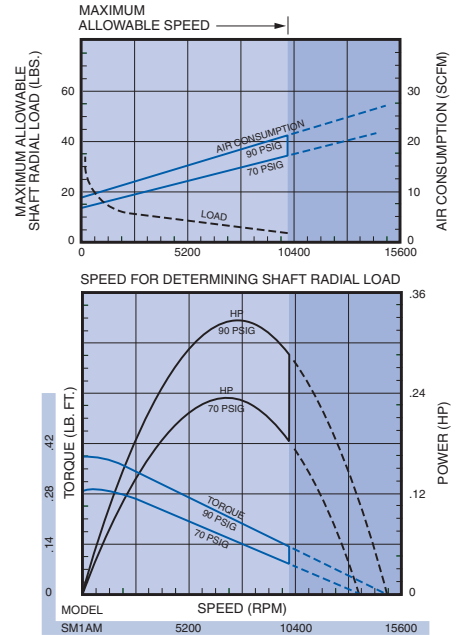
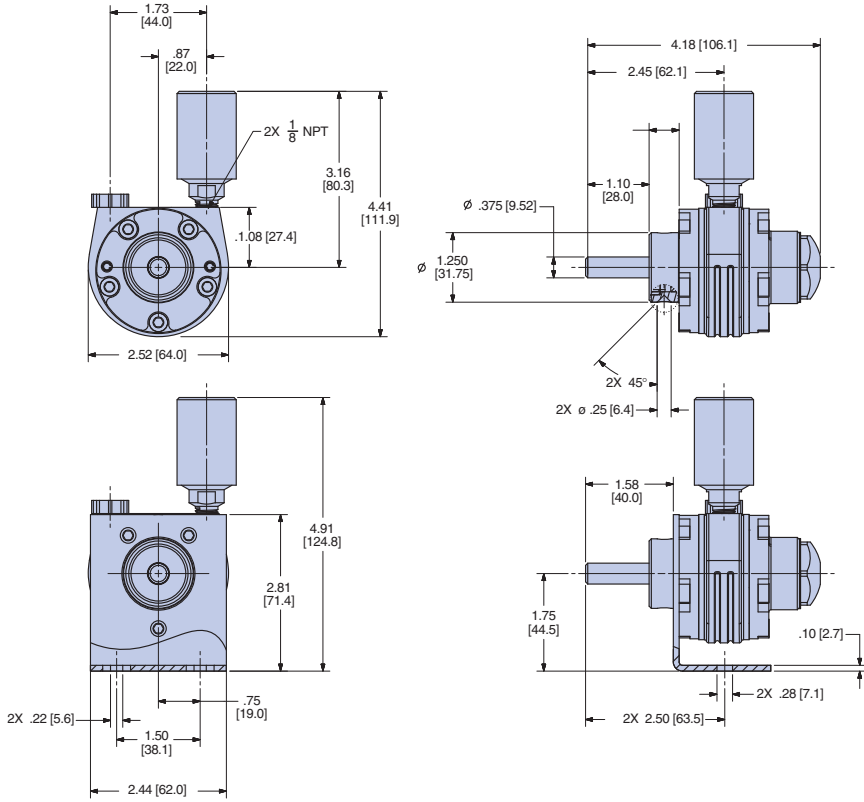
## Interchange Chart

| Gast Model Style | Select Series Model     | Max. Power (hp) | Max. Free Speed (rpm) | Mounting Style |
|------------------|-------------------------|-----------------|-----------------------|----------------|
| 1AM-NCC-12       | SM1AMAL                 | 0.33            | 15,200                | Face Mount     |
| 1AM-NCW-14       | SM1AMA                  | 0.33            | 15,200                | Face Mount     |
| 1AM-NRV-39A      | SM1AMA                  | 0.33            | 15,200                | Face Mount     |
| 1AM-NRV-63A      | SM1AMA                  | 0.33            | 15,200                | Face Mount     |
| 1UP-NCC-1A       | SM1UPCL                 | 0.60            | 12,500                | Face Mount     |
| 1UP-NCW-2A       | SM1UPCR                 | 0.60            | 12,500                | Face Mount     |
| 1UP-NRV-3A       | SM1UPC                  | 0.60            | 12,500                | Face Mount     |
| 1UP-NRV-10       | SM1UPC                  | 0.60            | 12,500                | Face Mount     |
| AG585            | SM1AM-AG587             | NA              | NA                    | Foot Mount     |
| 2AM-NCC-16       | SM2AMC                  | 0.88            | 8,070                 | Face Mount     |
| 2AM-NCC-16F      | SM2AMC                  | 0.88            | 8,070                 | Face Mount     |
| 2AM-NCW-7A       | SM2AMC                  | 0.88            | 8,070                 | Face Mount     |
| 2AM-NCW-7B       | SM2AMC                  | 0.88            | 8,070                 | Face Mount     |
| 2AM-NRV-89       | SM2AMC                  | 0.88            | 8,070                 | Face Mount     |
| 2AM-FCC-1        | SM2AMC with SM2AM-AH636 | 0.88            | 8,070                 | Foot Mount     |
| 2AM-FCW-13       | SM2AMC with SM2AM-AH636 | 0.88            | 8,070                 | Face Mount     |
| 2AM-NCC-43A      | SM2AMAN                 | 0.88            | 8,070                 | NEMA Mount     |
| 2AM-NRV-90       | SM2AMAN                 | 0.88            | 8,070                 | NEMA Mount     |
| 4AM-NRV-22B      | SM4AMB                  | 1.5             | 7,900                 | Face Mount     |
| 4AM-NRV-22F      | SM4AMB                  | 1.5             | 7,900                 | Face Mount     |
| 4AM-NRV-54A      | SM4AMB                  | 1.5             | 7,900                 | Face Mount     |
| 4AM-FRV-24       | SM4AMB with SM4AM-AH634 | 1.5             | 7,900                 | Foot Mount     |
| 4AM-FRV-13C      | SM4AMB with SM4AM-AH634 | 1.5             | 7,900                 | Foot Mount     |
| 4AM-FRV-13H      | SM4AMB with SM4AM-AH634 | 1.5             | 7,900                 | Foot Mount     |
| 4AM-FRV-63A      | SM4AMB with SM4AM-AH634 | 1.5             | 7,900                 | Foot Mount     |
| 4AM-NRV-50C      | SM4AMAN                 | 1.5             | 7,900                 | NEMA Mount     |
| 4AM-NRV-70C      | SM4AMAN                 | 1.5             | 7,900                 | NEMA Mount     |
| 6AM-NRV-7A       | SM6AMA                  | 3.6             | 7,900                 | Face Mount     |
| 6AM-FRV-5A       | SM6AMA with SM6AM-AH634 | 3.6             | 7,900                 | Foot Mount     |
| 6AM-FRV-23A      | SM6AMA with SM6AM-AH634 | 3.6             | 7,900                 | Foot Mount     |
| 6AM-NRV-11A      | SM6AMAN                 | 3.6             | 7,900                 | NEMA Mount     |
| 6AM-NRV-22A      | SM6AMAN                 | 3.6             | 7,900                 | NEMA Mount     |
| 8AM-NRV-5B       | SM8AMA                  | 4.8             | 7,000                 | Face Mount     |
| 8AM-NRV-42A      | SM8AMA                  | 4.8             | 7,000                 | Face Mount     |
| 8AM-FRV-2B       | SM8AMA with SM8AM-AH640 | 4.8             | 7,000                 | Foot Mount     |
| 8AM-FRV-30A      | SM8AMA with SM8AM-AH640 | 4.8             | 7,000                 | Foot Mount     |
| 8AM-NRV-28A      | SM8AMAN                 | 4.8             | 7,000                 | NEMA Mount     |
| 8AM-NRV-32A      | SM8AMAN                 | 4.8             | 7,000                 | NEMA Mount     |

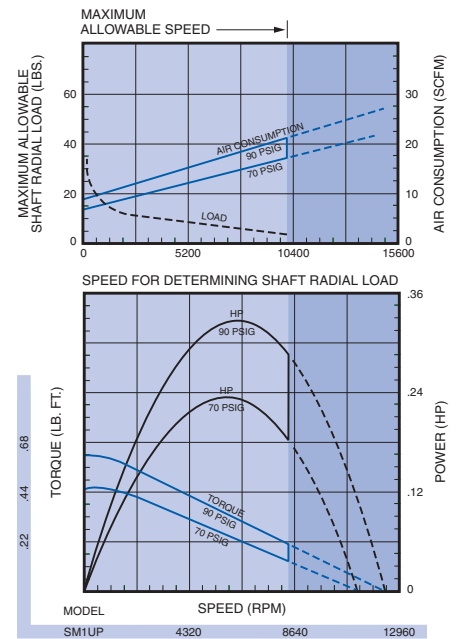
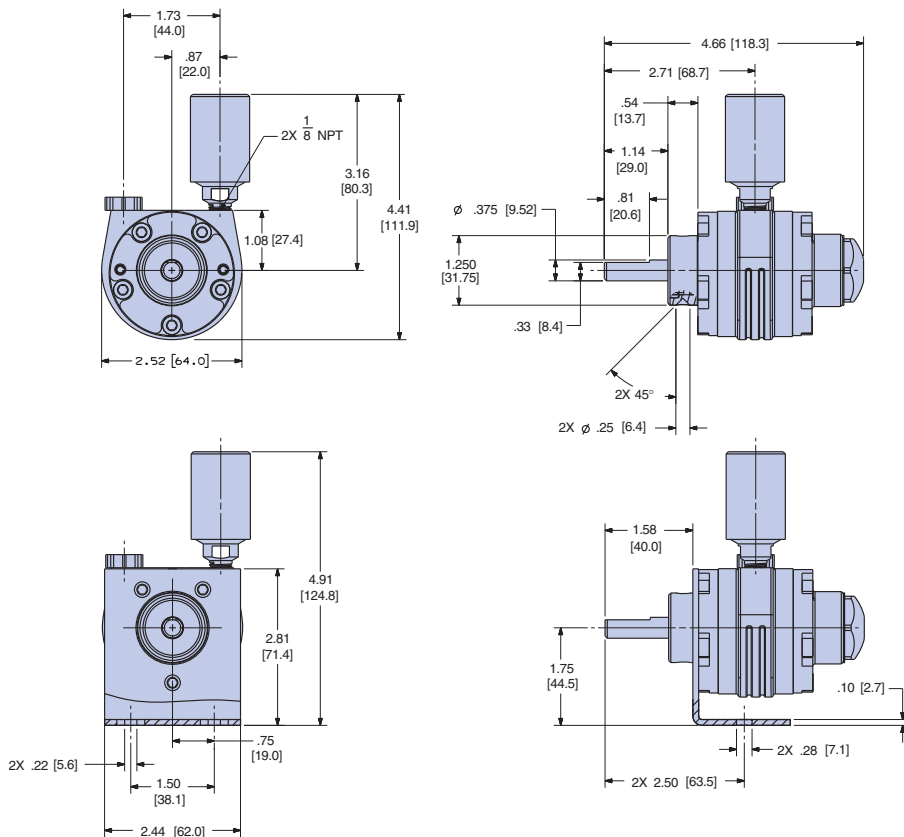


Toll-Free 1-866-763-6226 Phone: 905-672-5557  
 Fax: 905-672-5559 Email: sales@dobcoeqp.com

### SM1AM and SM1AM-AG587 FOOTMOUNT DIMENSIONS

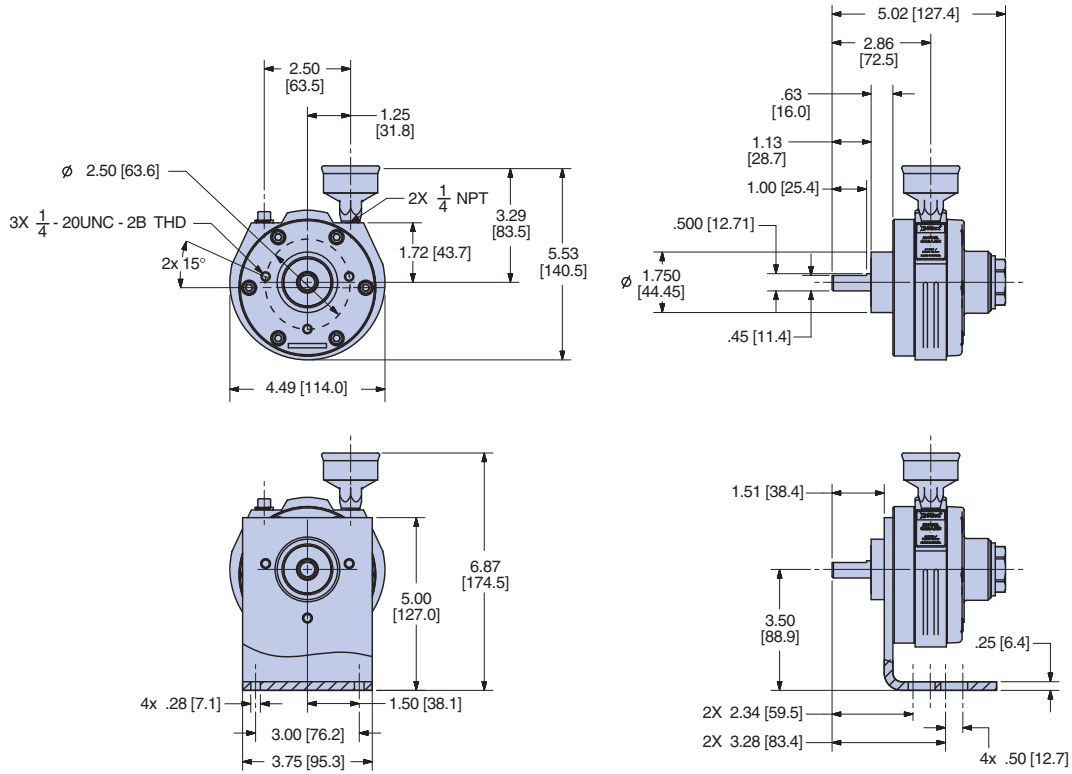


### SM1UP and SM1AM-AG587 FOOTMOUNT DIMENSIONS

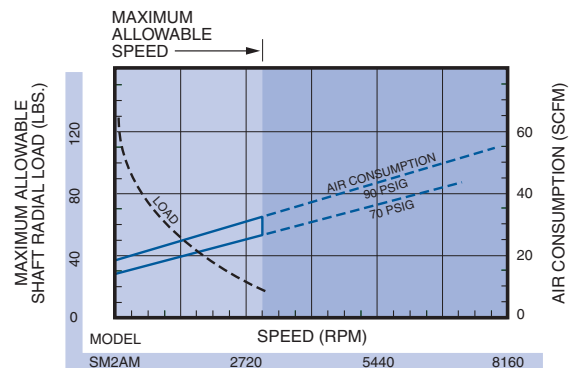
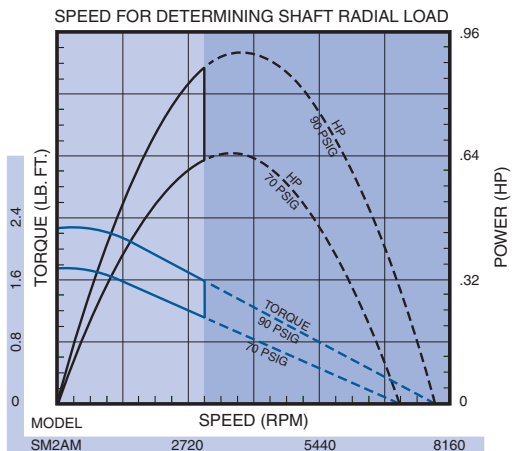
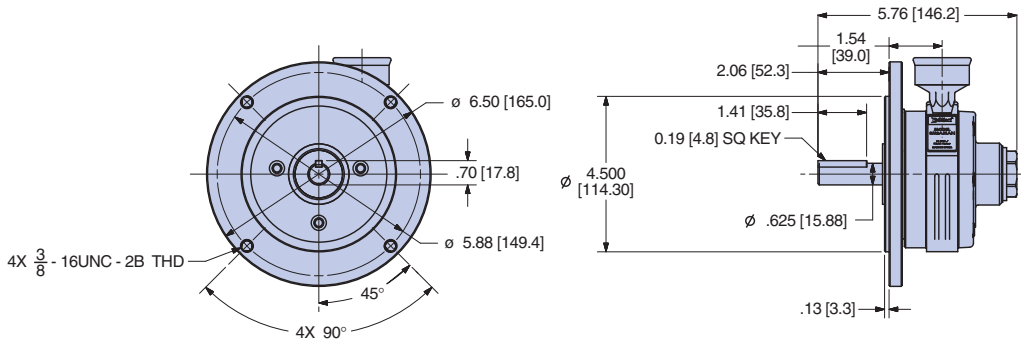




### SM2AMC and SM2AM-AH636 FOOTMOUNT DIMENSIONS

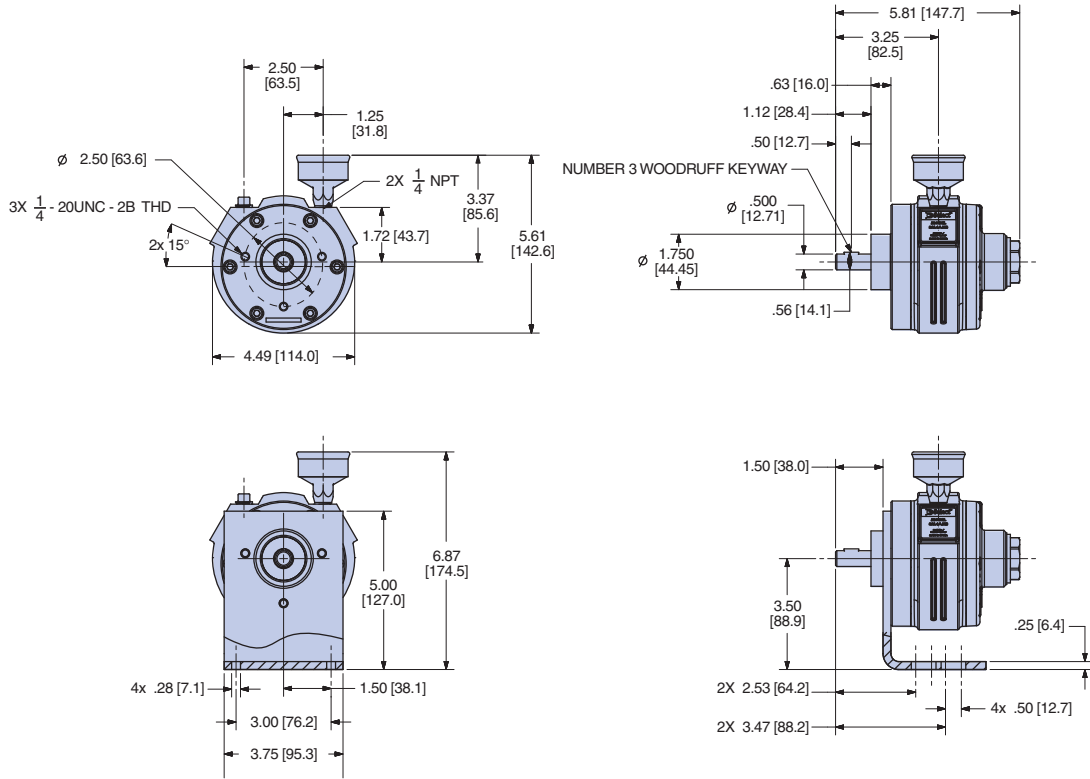


### SM2AMAN NEMA MOUNT DIMENSIONS

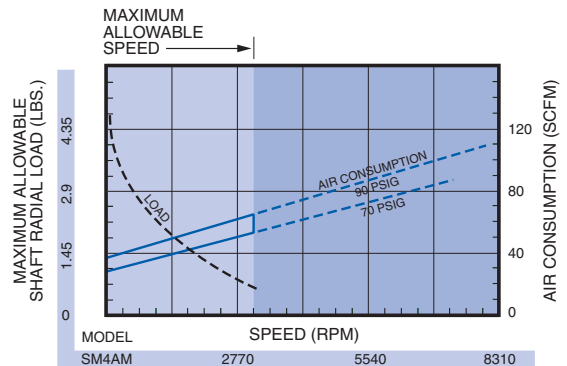
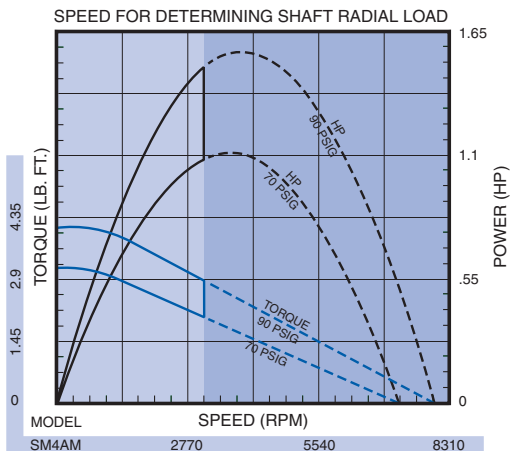
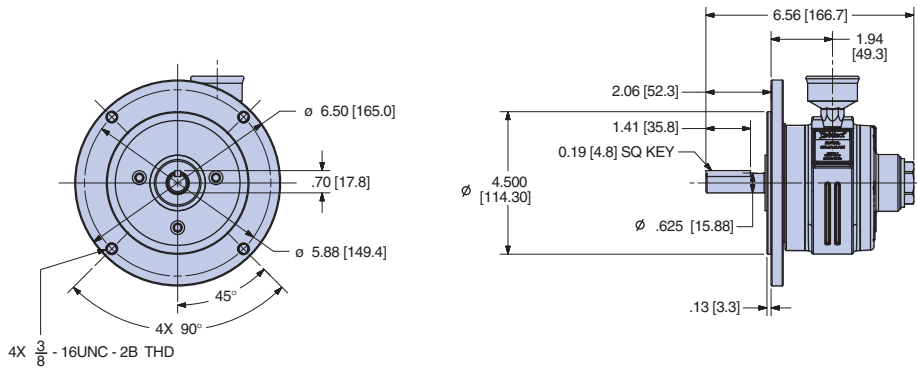


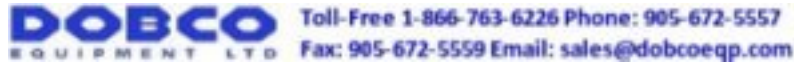


### SM4AMB and SM4AM-AH634 FOOTMOUNT DIMENSIONS

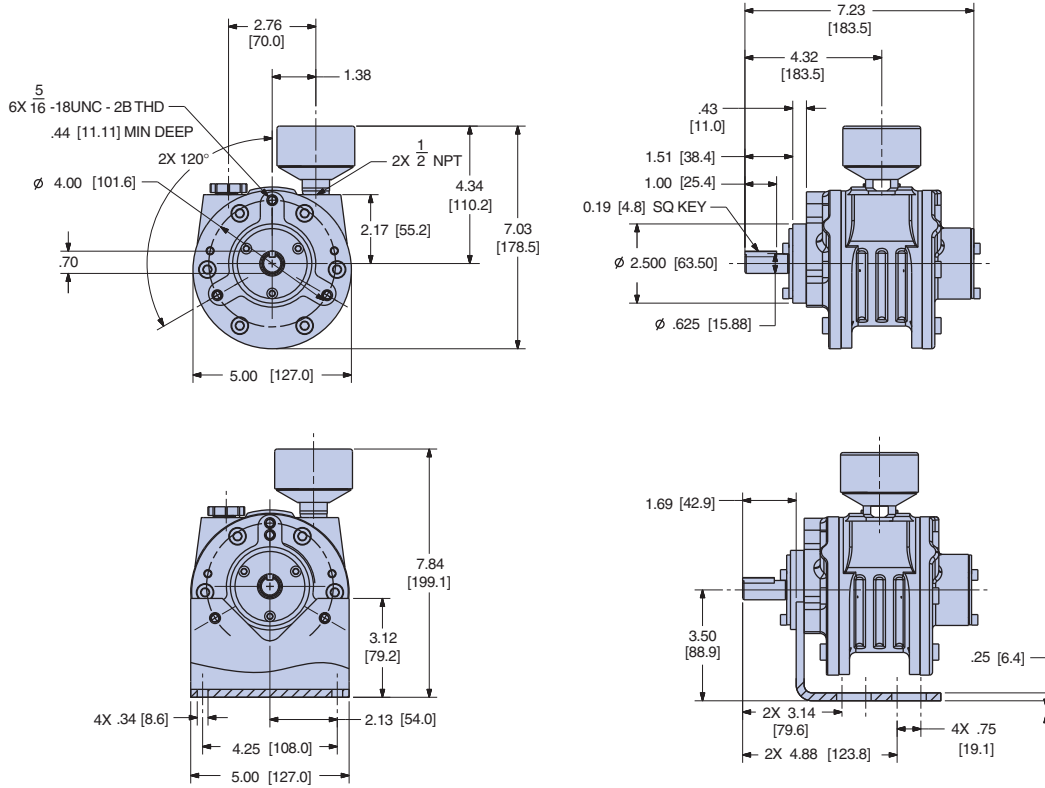


### SM4AMAN NEMA MOUNT DIMENSIONS

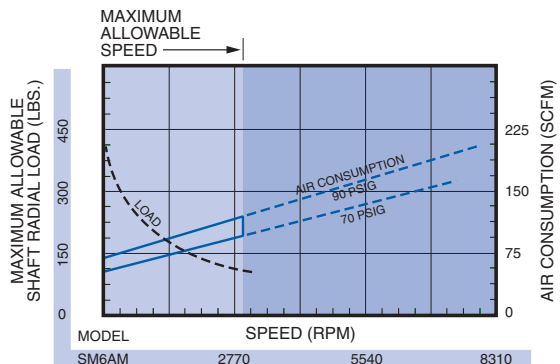
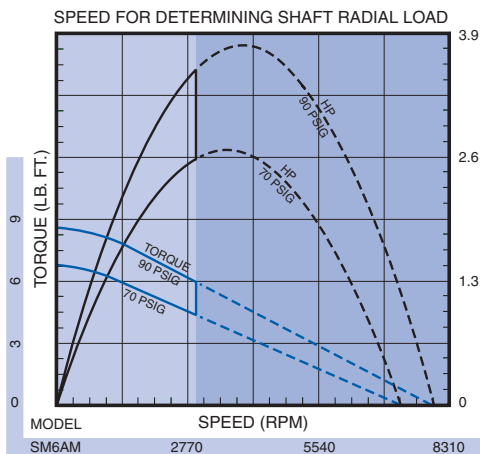
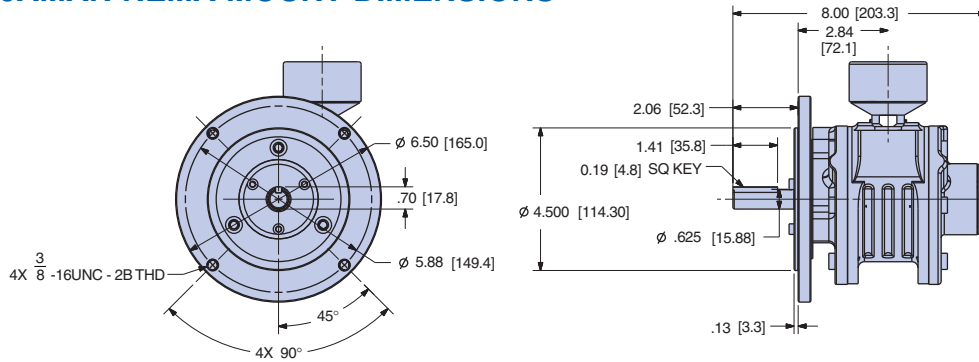




### SM6AMA and SM6AM-AH636 FOOTMOUNT DIMENSIONS



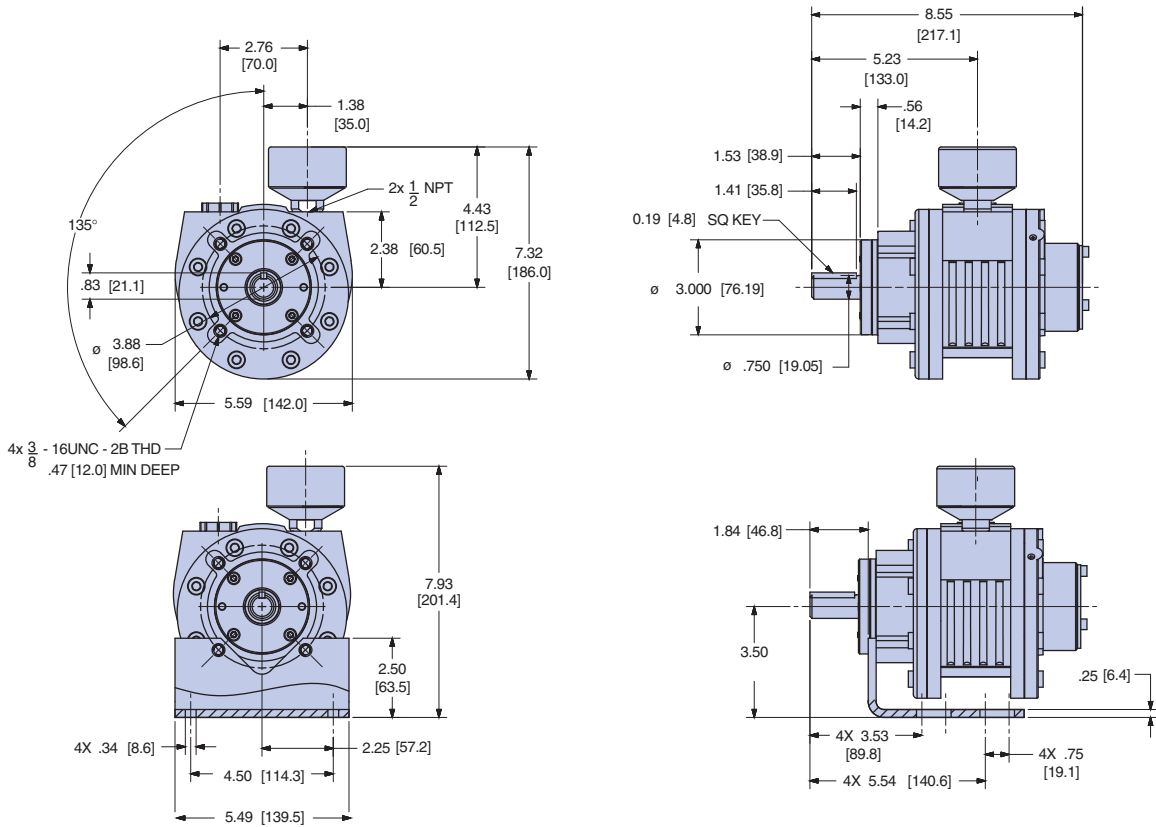
### SM6AMAN NEMA MOUNT DIMENSIONS



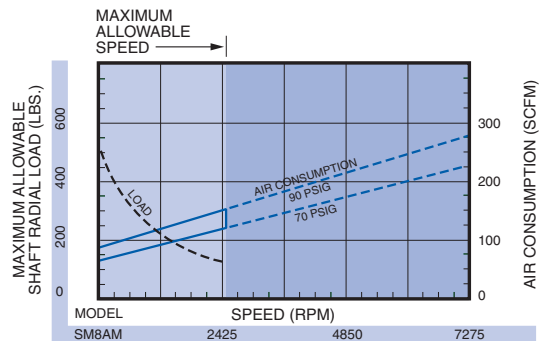
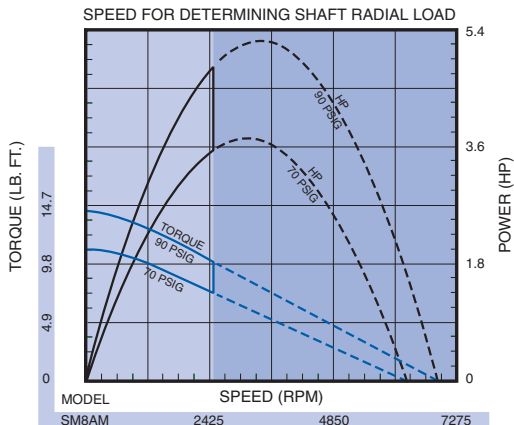
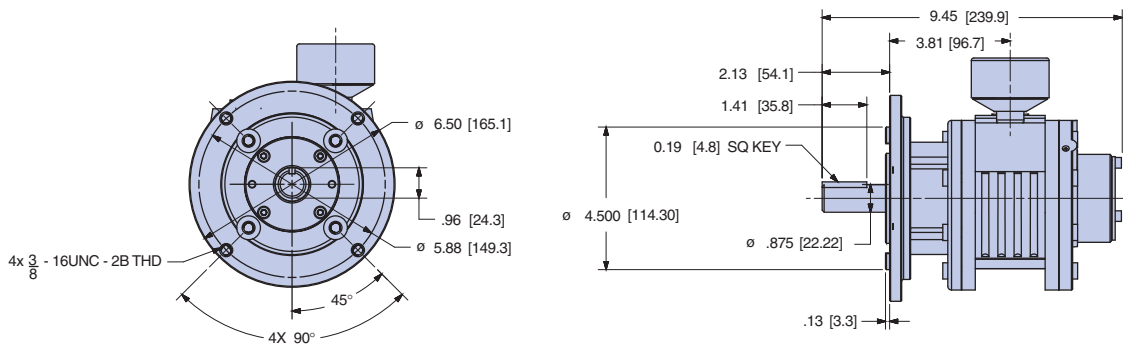


**DOBCO** EQUIPMENT LTD. Toll-Free 1-866-763-6226 Phone: 905-672-5557  
 Fax: 905-672-5559 Email: sales@dobcoeqp.com

### SM8AMA AND SM8AM-AH640 FOOTMOUNT DIMENSIONS



### SM8AMAN NEMA MOUNT DIMENSIONS





Distributed By:



Toll-Free 1-866-763-6226 Phone: 905-672-5557  
Fax: 905-672-5559 Email: [sales@dobcoeqp.com](mailto:sales@dobcoeqp.com)

