

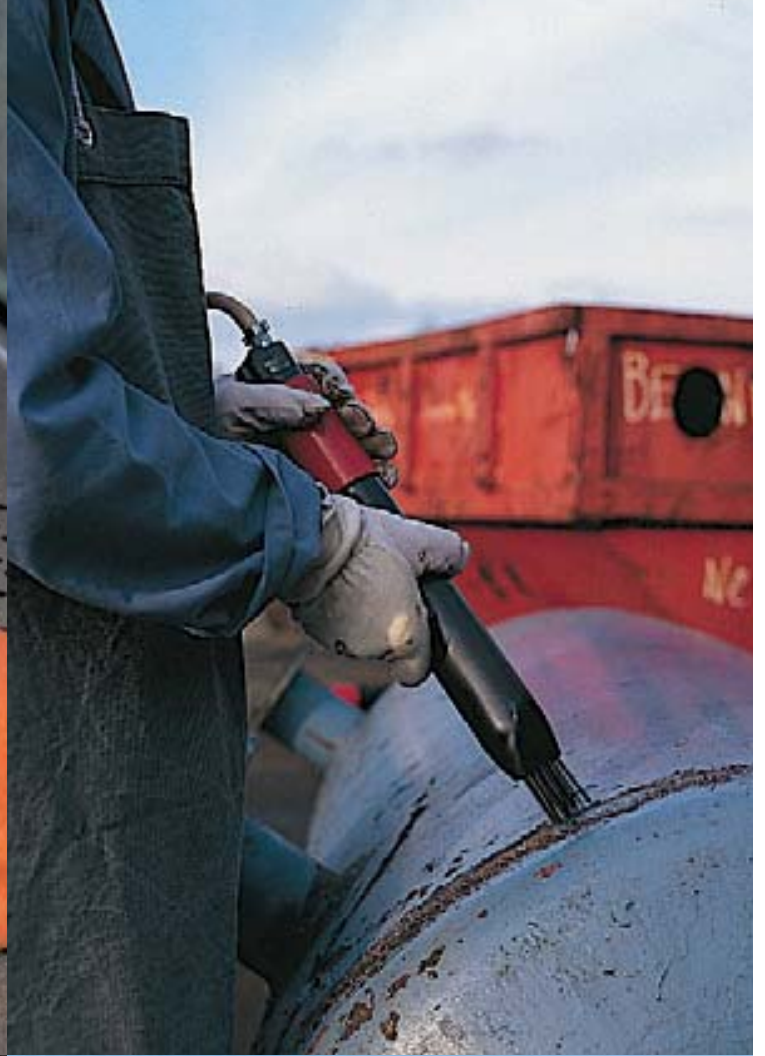
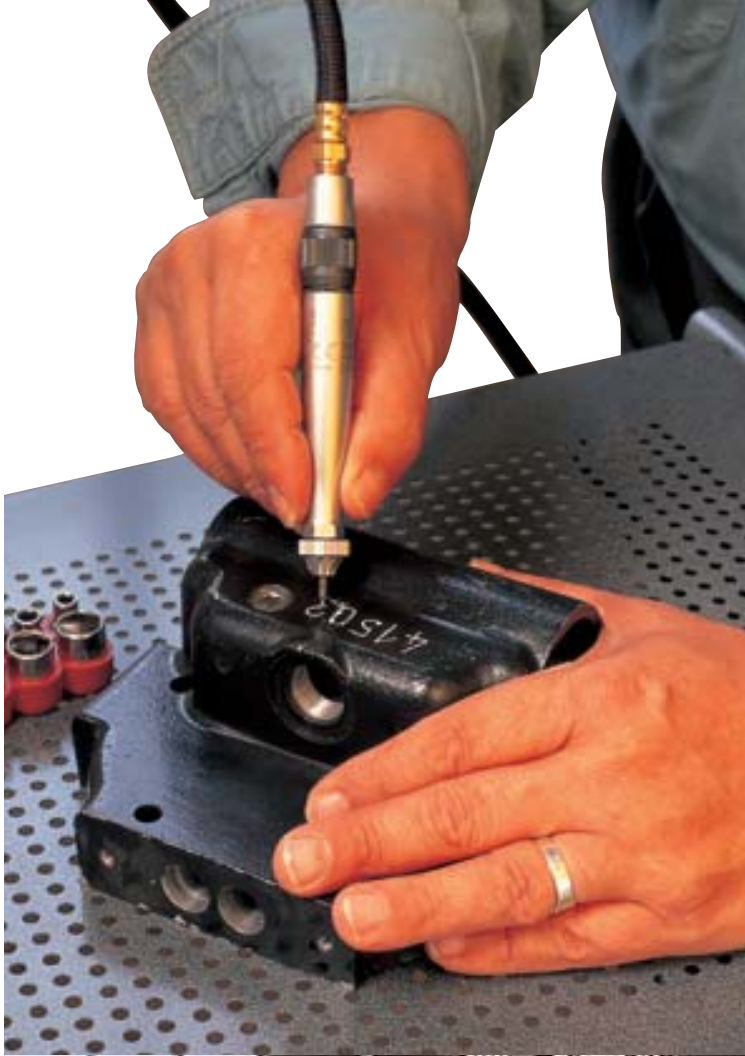
Needle Scalers, Chippers & Chisel Scalers

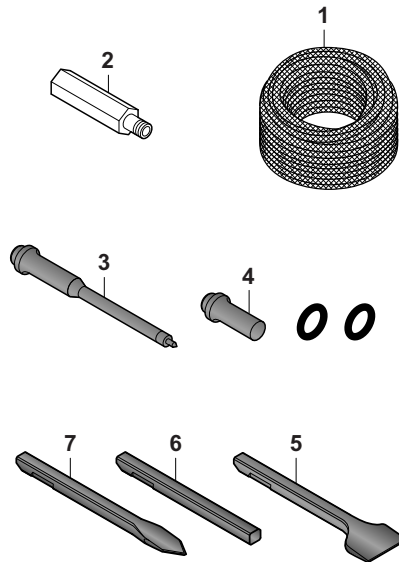
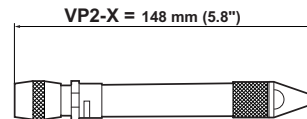
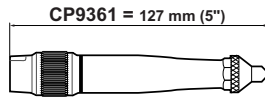


Ontario's Largest
Pneumatic & Hydraulic Tool Distributor

1-2430 Lucknow Drive, Mississauga, Ontario L5S 1V3. Tel: 905-672-5557 Fax: 905-672-5559
Email: sales@dobcoeqp.com www.dobcoeqp.com







CP9361 / CP9361-1

ACCESSORIES INCLUDED

ITEM	CP9361	CP9361-1
1 Air Hose - 5mm (3/16") bore	P043886	P043886
2 Air Filter Assembly	P056381	P056381
3 Stylus - carbide tipped	P054177	P054177
4 Anvil for use with chisels & blank		P054207
5 Flat Chisel		P054183
6 Chisel Blank		P054184
7 Round nose Chisel		P054182
• Carrying Case		P137979

VP2-X

ACCESSORIES INCLUDED

ITEM	VP2-X
1 Air Hose - 3.2mm bore - Length 2m (78.7") - 1/8" - 1/4" BSP	75902
• Tungsten carbide tipped needle	63213
• Key	63533





A



B

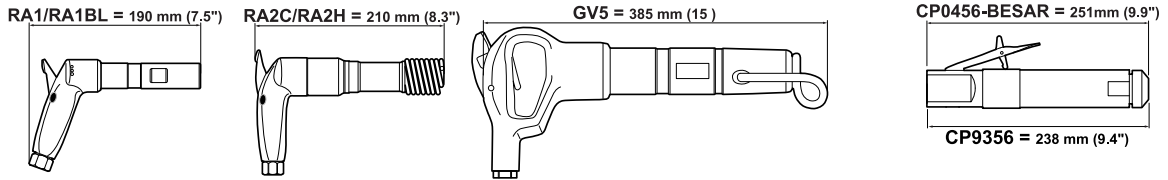


C

PIC REF	MODEL	PART NUMBER	BLOWS PER MINUTE	WEIGHT		LENGTH		AIR CONSUMPTION AT FREE SPEED		AIR INLET THREAD	HOSE INT. Ø	
				kg	lbs	mm	in.	l/s	cfm	in.	mm	in.
A	CP9361	T012644	13500	0.14	0.31	127	5.0	0.5	1.1	1/4	5.0	3/16
B	CP9361-1	T011970	13500	0.14	0.31	127	5.0	0.5	1.1	1/4	5.0	3/16
C	VP2-X	671094	11400	0.10	0.22	148	5.8	0.9	1.9	1/8	3.2	1/8



Accessories



RA1(BL) / RA2C(H) / GV5 / CP-0456 / CP-9356

ACCESSORIES INCLUDED

ITEM	RA1 / RA2	CP0456
• 1/4" air hose nipple for 10mm (3/8") ID hose	615 705 006 0	
• Sealing chisel		P084376

OPTIONAL ACCESSORIES

Shank \varnothing 9.5 x 9mm (3/8" x 23/64")

ITEM	RA1	RA1 BL
1 Chisel, width 9mm (23/64"), length 150mm (529/32")	615 040 115 0	
2 Chisel, \varnothing 6mm (15/64"), length 250mm (927/32")	615 804 437 0	
3 Flat chisel, 3mm (1/8"), length 250mm (927/32")	615 804 438 0	
4 Chisel thickness, 6mm (15/64"), length 145mm (545/64")		615 041 114 0
4 Chisel thickness, 6mm (15/64"), length 200mm (77/8")		615 041 120 0

Shank 126 - \varnothing 15 x 55mm (19/32" x 211/64")

ITEM	RA2C
5 Chisel, width 16mm (5/8"), length 185mm (79/32")	615 045 118 0
5 Chisel, width 16mm (5/8"), length 250mm (927/32")	615 804 088 0
6 Pick, length 185mm (79/32")	615 045 218 0

Shank 122 - Hex 12.5 x 55mm (8/16" x 211/64")

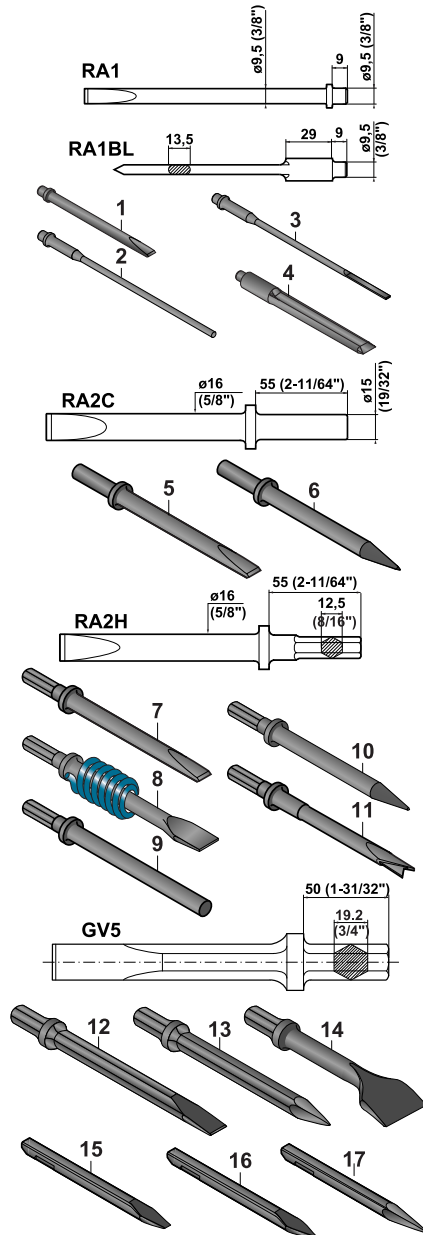
ITEM	RA2H
7 Chisel, width 16mm (5/8"), length 185mm (79/32")	615 046 118 0
7 Chisel, width 16mm (5/8"), length 250mm (927/32")	615 804 089 0
7 Chisel, width 16mm (5/8"), length 310mm (1213/64")	615 804 431 0
7 Chisel, width 16mm (5/8"), length 500mm (1911/16")	615 804 090 0
7 Chisel, width 16mm (5/8"), length 1000mm (293/8")	615 804 091 0
8 Chisel*, width 24mm (15/16"), length 310mm (1213/64")	615 804 440 0*
8 Chisel*, width 50mm (131/32"), length 250mm (927/32")	615 804 421 0*
*Supplied with retaining spring 615 690 089 0 (former TR0289)	
9 Blank tool, length 175mm (657/64")	615 046 017 0
9 Blank tool, length 240mm (929/64")	615 046 024 0
10 Pick, length 185mm (79/32")	615 046 218 0
10 Pick, length 250mm (927/32")	615 804 092 0
11 Blade cutter, length 200mm (77/8")	615 046 920 0

Hex. shank 19.2 x 50mm (3/4" x 131/32")

ITEM	GV5
12 Chisel, width 19mm (3/4"), length 300mm (1115/16")	615 804 095 0
12 Chisel, width 19mm (3/4"), length 500mm (1911/16")	615 804 096 0
13 Pick, length 300mm (1115/16")	615 804 093 0
13 Pick, length 500mm (1911/16")	615 804 094 0
14 Scraper, width 60mm (223/64"), length 250mm (927/32")	615 804 097 0

Shank: Qtr. Oct WF 1/2" (CP-0456) - Qtr. B 1/2" (CP-9356)

ITEM	CP-0456	CP-9356
15 Flat Chisel, 15.9mm (5/8") face, length 102mm (4")	P073781	WP123997
15 Flat Chisel, 15.9mm (5/8") face, length 191mm (71/2")	P073225	WP123996
15 Flat Chisel, 35mm (13/8") face, length 102mm (4")	P072213	
15 Flat Chisel, 35mm (13/8") face, length 165mm (61/2")		WP123998
15 Flat Chisel, 35mm (13/8") face, length 229mm (9")	P084175	
15 Flat Chisel, 35mm (13/8") face, length 305mm (12")	P084176	
15 Flat Chisel, 35mm (13/8") face, length 457mm (18")	P084177	
15 Flat Chisel, 44mm (13/4") face, length 213mm (53/8")	P070982	
• Angle Scaling, 35mm (13/8") face, length 165mm (61/2")	P084376	WP123999
16 Cape 6.4mm (1/4") face length 191mm (71/2")	P073224	
17 Diamond Pt. 6.4mm (1/4") face length 191mm (71/2")	P073223	



Chisel Scalars & Weld Flux Chippers



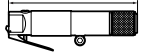
All models: supplied without chisel, except for CP-0456 - *Front Blower type

PIC REF	MODEL	PART NUMBER	BORE & STROKE		SHANK	BLOWS PER MINUTE	WEIGHT		AIR CONSUMPTION AT FREE SPEED		AIR INLET THREAD	HOSE INT. Ø	
			mm	in.			Blows/min	kg	lb.	l/s		cfm	in.
CHISEL SCALERS													
A	RA1	615 174 018 0	13 x 45	0.51 x 1.77	Round	4000	1.1	2.4	3.0	7.0	1/4	10	3/8
A	RA1 BL	615 174 019 0	13 x 45	0.51 x 1.77	Flatnosed	4000	1.1	2.4	3.0	7.0	1/4	10	3/8
B	RA2C	615 174 020 0	18 x 58	0.71 x 2.28	126	3500	2.0	4.4	4.6	9.7	1/4	10	3/8
B	RA2H	615 174 021 0	18 x 58	0.71 x 2.28	122	3500	2.0	4.4	4.6	9.7	1/4	10	3/8
PNEUMATIC HAMMER													
C	GV5	615 174 017 0	28 x 52.5	1.1 x 2.07	19 x 50	2400	5.1	11.2	8.3	17.6	1/2	13	1/2
WELD FLUX CHIPPERS													
D	CP-0456-LESAR	T013046	23.8 x 25.4	15/16 x 1.0	Qtr. Oct WF 1/2"	4300	1.6	3.5	4.7	10.0	1/4	10	3/8
D	CP-0456-BESAR*	T013212	23.8 x 25.4	15/16 x 1.0	Qtr. Oct WF 1/2"	4300	1.8	4.0	4.7	10.0	1/4	10	3/8
E	CP-9356	T021959	25.4 x 28.6	1.0 x 1 1/8	Qtr. B 1/2"	4600	1.7	3.7	4.8	10.2	3/8	10	3/8

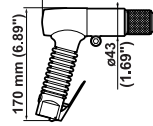


Accessories

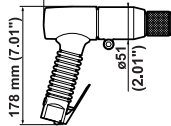
B15B = 201 mm (7.91")
B16B = 231 mm (9.09")



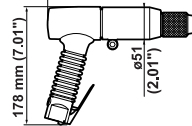
B18B = 173 mm (6.81")



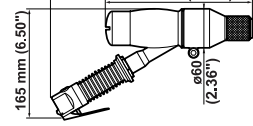
B19B = 191 mm (7.52")



B19B-1 = 218 mm (8.58")



B21B = 310 mm (12.20")



B15B / B16B / B18B / B19B / B19B1 / B21B

ACCESSORIES INCLUDED

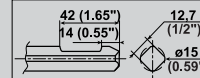
- Hex. Key 6mm (1/4")
- 1/4" air hose nipple for 10mm ID hose

PART NO.

615 802 056 0

OPTIONAL ACCESSORIES

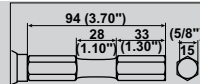
ISO 1/2" Square Shank Chisels



B15B / B16B
B18B / B19B / B21B

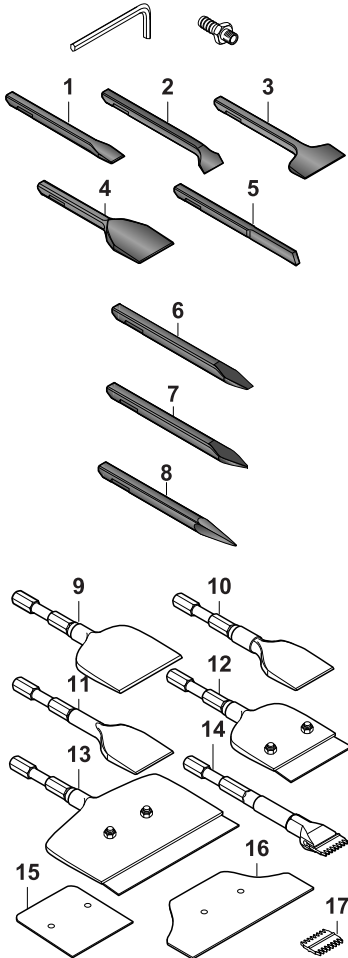
ITEM		
1	Chisel, width 19mm (3/4"), length 180mm (7")	615 804 443 0
2	Angle chisel, width 35mm (1 3/8"), length 180mm (7")	615 804 444 0
3	Chisel, width 60mm (3 23/64"), length 180mm (7")	615 804 445 0
4	Spark-resistant chisel, width 50mm (1 31/32")	615 003 900 0
5	Chisel, width 6mm (1/4"), length 180mm (7") for brick joints	615 804 062 0
6	Flat Chisel, 15.9mm (5/8") face, length 102mm (4")	P073781
6	Flat Chisel, 15.9mm (5/8") face, length 191mm (7 1/2")	P073225
6	Flat Chisel, 35mm (1 3/8") face, length 102mm (4")	P072213
6	Flat Chisel, 35mm (1 3/8") face, length 229mm (9")	P084175
6	Flat Chisel, 35mm (1 3/8") face, length 305mm (12")	P084176
6	Flat Chisel, 35mm (1 3/8") face, length 457mm (18")	P084177
6	Flat Chisel, 44mm (1 3/8") face, length 213mm (5 3/8")	P070982
7	Cape 6.4mm (1/4") face length 191mm (7 1/2")	P073224
8	Diamond Pt. 6.4mm (1/4") face length 191mm (7 1/2")	P073223

Hex. Shank 5/8" Chisels



B19B1

ITEM		
9	Chisel, width 100mm (3 15/16"), length 180mm (7")	615 804 441 0
10	Chisel, width 50mm (1 31/32"), length 180mm (7")	615 804 442 0
11	Spark-resistant chisel, width 50mm (1 31/32")	615 002 900 0
12	Scaling tool, width 100mm (3 15/16")	615 002 901 0
13	Scaling tool, width 200mm (7 7/8")	615 002 902 0
14	Comb-type chisel, width 38mm (1 1/2"), length 180mm (7")	615 002 903 0
15	Spare blade, width 100mm (3 15/16")	615 250 527 0
16	Spare blade, width 200mm (7 7/8")	615 250 528 0
17	Spare comb, width 38mm (1 1/2")	615 250 539 0



Chippers - Chisel Scalers



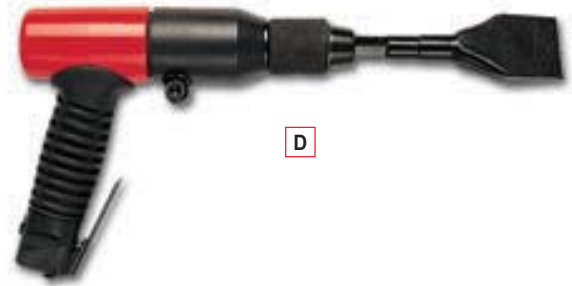
A



B



C



D



E

All models: Supplied without chisel

PIC REF	MODEL	PART NUMBER	BORE & STROKE		SHANK	BLOWS PER MINUTE	WEIGHT		AIR CONSUMPTION AT FREE SPEED		AIR INLET THREAD	HOSE INT. Ø	
			mm	in.			inch	Blows/min	kg	lb.		l/s	cfm
A	B15B	615 174 023 0	18.0 x 30.0	0.71 x 1.18	ISO 1/2 square	3800	1.5	3.3	1.4	3.0	1/4	8	5/16
A	B16B	615 174 025 0	23.5 x 35.6	0.92 x 1.40	ISO 1/2 square	3000	2.0	4.4	2.6	5.5	1/4	10	3/8
B	B18B	615 174 027 0	23.5 x 35.6	0.92 x 1.40	ISO 1/2 square	3000	2.0	4.4	2.6	5.5	1/4	10	3/8
C	B19B	615 174 030 0	28.6 x 39.0	1.12 x 1.53	ISO 1/2 square	2200	3.0	6.6	3.8	8.0	1/4	10	3/8
D	B19B1	615 174 031 0	28.6 x 39.0	1.12 x 1.53	Hex. 5/8	2200	3.0	6.6	3.8	8.0	1/4	10	3/8
E	B21B	615 174 040 0	33.0 x 49.2	1.30 x 1 15/16	ISO 1/2 square	2200	4.0	8.8	4.0	8.5	1/4	10	3/8



Accessories

B15M = 335 mm (13.19")
B16M = 366 mm (14.41")

B15M = \varnothing 38 mm (1.50")
B16M = \varnothing 48 mm (1.89")

B18M = \varnothing 48 mm (1.89") h = 170mm 170mm (6.7")
B19M = \varnothing 60 mm (2.36") h = 178mm 177mm (7")

B18M = 315 mm (12.40")
B19M = 342 mm (13.46")

B18MAV = 400 mm (15.75")

B21M = 484 mm (19.06")
383 mm (15.08")
165 mm (6.50")
50 (1.97") \varnothing
2.60" \varnothing 666

CP0456-LASAN = 413 mm (16.26")
CP0456-LASAV = 413 mm (16.26")

CP9356-NS = 432 mm (17")

B15M / B16M / B18M / B18MAV / B19M / B21M

ACCESSORIES INCLUDED

- Hex. Key 6mm
- 1/4" air hose nipple for 10mm (3/8") ID hose

PART NO.
615 802 056 0

OPTIONAL ACCESSORIES

ITEM	B15M	B16M/B18M
1 1/2" square tool retainer	615 250 524 0	615 250 525 0
2 Round adjustable sleeve	615 250 523 0	615 250 515 0
3 Needle holder for 29 needles \varnothing 2mm (5/64")	615 250 531 0	
3 Needle holder for 51 needles \varnothing 2mm (5/64")		615 250 532 0

OPTIONAL ACCESSORIES

ITEM	B19M	B21M
4 1/2" square tool retainer	615 250 538 0	615 250 536 0
5 3/8" hex. tool retainer	615 250 526 0	
6 Round adjustable sleeve	615 250 519 0	615 250 535 0
7 Needle holder for 19 needles \varnothing 4mm (5/32")	615 250 533 0	
7 Needle holder for 65 needles \varnothing 2mm (5/64")	615 250 543 0	
7 Needle holder for 49 needles \varnothing 3mm (1/8")		615 250 537 0

Needles Sets

8 Chisel tip needles, \varnothing 3mm (1/8"), length 178mm (7") (Qty 100)	615 399 819 0
8 Chisel tip needles, \varnothing 4mm (5/32"), length 178mm (7") (Qty 100) except for B18MAV	615 399 820 0
9 Flat tip needles, \varnothing 2mm (5/64"), length 178mm (7") (Qty 100) except for B18MAV	615 399 816 0
9 Flat tip needles, \varnothing 3mm (1/8"), length 178mm (7") (Qty 100)	615 399 817 0
9 Flat tip needles, \varnothing 4mm (5/32"), length 178mm (7") (Qty 100) except for B18MAV	615 399 818 0
10 Pointed tip needles, \varnothing 3mm (1/8"), length 178mm (7") (Qty 100)	615 399 821 0
10 Pointed tip needles, \varnothing 4mm (5/32"), length 178mm (7") (Qty 100) except for B18MAV	615 399 822 0

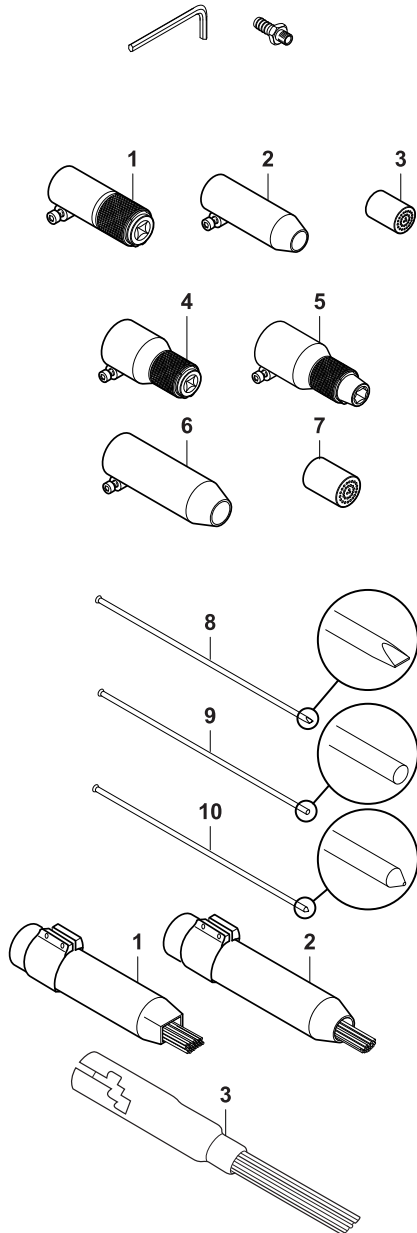
CP-0456 / CP-9356-NS

OPTIONAL ACCESSORIES

ITEM	CP-0456-LASAV	CP-0456-LASAN	CP-9356-NS
1 Rectangular Nose	P103106		
2 Round Nose		P103105	
3 Round Nose			P136983

Needles Sets

• Steel needle set, \varnothing 3mm (1/8"), length 178mm (7") Qty. 19	P100146
• Steel needle set, \varnothing 2mm (5/64"), length 178mm (7") Qty. 29	NP123905
• Steel needle set, \varnothing 2mm (5/64"), length 178mm (7") Qty. 53	NP123906
• Steel needle set, \varnothing 3mm (1/8"), length 127mm (5") Qty. 19	P136403
• Steel needle set, \varnothing 3mm (1/8"), length 178mm (7") Qty. 12	NP123901
• Steel needle set, \varnothing 3mm (1/8"), length 178mm (7") Qty. 23	NP123902
• Steel needle set, \varnothing 3mm (1/8"), length 178mm (7") Qty. 28	NP123903
• Steel needle set, \varnothing 3mm (1/8"), length 178mm (7") Qty. 250	NP137638
• Stainless, needle set, \varnothing 3mm (1/8"), length 178mm (7") Qty. 19	P106454



Standard Needle Scalers & Vibration-damped Needle Scaler

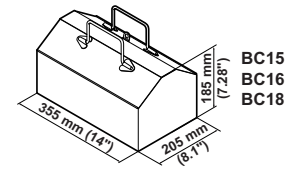
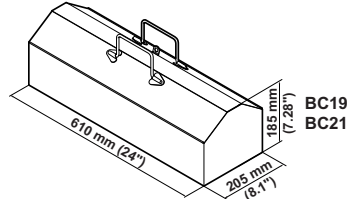


All models: Supplied with chisel tip needles and flatnosed sleeve except for B18MAV, CP-0456 & CP-9356 (round sleeve)
*Entire needle attachment can be removed from CP-0456-LASAN, CP-0456-LASAV

PIC REF	MODEL	PART NUMBER	BORE & STROKE		NEEDLE CAPACITY	BLOWS PER MINUTE	WEIGHT		AIR CONSUMPTION AT FREE SPEED		AIR INLET THREAD	HOSE INT. Ø	
			mm	in.			No. x ø mm (in.)	Blows/min	kg	lb.		l/s	cfm
STANDARD NEEDLE SCALERS													
A	B15M	615 174 024 0	18.0 x 30.0	0.71 x 1.18	12 x 3 (1/8)	3800	1.6	3.5	1.4	3.0	1/4	8	5/16
A	B16M	615 174 026 0	23.5 x 35.6	0.92 x 1.40	19 x 3 (1/8)	3000	2.6	5.7	2.6	5.5	1/4	10	3/8
B	B18M	615 174 028 0	23.5 x 35.6	0.92 x 1.40	19 x 3 (1/8)	3000	2.6	5.7	2.6	5.5	1/4	10	3/8
B	B19M	615 174 032 0	28.6 x 39.0	1.12 x 1.53	28 x 3 (1/8)	2200	3.7	8.2	3.8	8.0	1/4	10	3/8
C	B21M	615 174 041 0	33.0 x 49.2	1.30 x 1 ^{15/16}	35 x 4 (9/32)	2200	5.6	12.4	4.0	8.5	1/4	10	3/8
D	CP-0456-LASAN*	T013049	23.8 x 25.4	1 ^{5/16} x 1	19 x 3 (1/8)	4300	2.7	6.0	6.6	13.9	1/4	10	3/8
D	CP-0456-LASAV*	T013050	23.8 x 25.4	1 ^{5/16} x 1	19 x 3 (1/8)	4300	2.7	6.0	6.6	13.9	1/4	10	3/8
E	CP-9356-NS	T022165	25.4 x 58.6	1 x 1 ^{1/8}	19 x 3 (1/8)	4600	2.7	6.0	6.6	13.9	1/4	10	3/8
VIBRATION-DAMPED NEEDLE SCALER													
F	B18MAV	615 174 029 0	23.5 x 35.6	0.92 x 1.40	19 x 3 (1/8)	3000	3.5	7.7	2.6	5.5	1/4	10	3/8

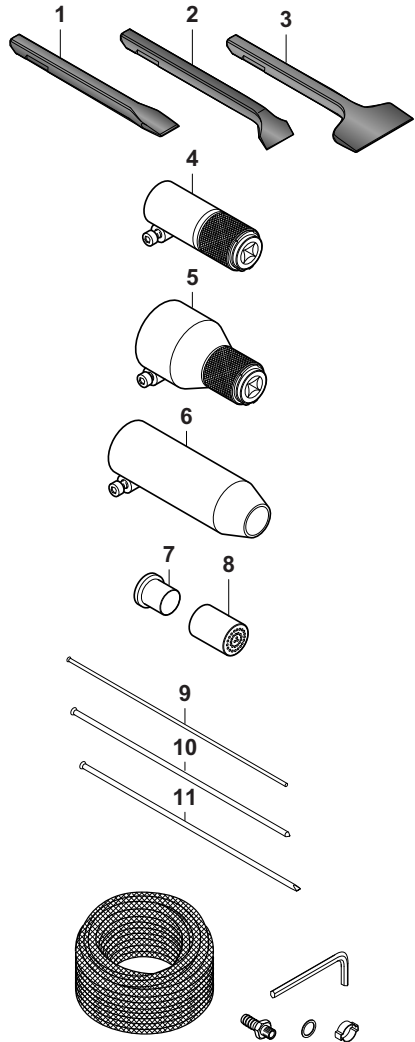


Accessories



BC15 / BC16 / BC18 / BC19 / BC21

ACCESSORIES INCLUDED



ITEM	MODEL				PART NO.
	BC15	BC16	BC18	BC19 BC21	
• Needle scaler B15M	1				
• Needle scaler B16M		1			
• Needle scaler B18M			1		
• Needle scaler B19M				1	
• Needle scaler B21M					1
1 Chisel, width 19mm (3/4") length 180mm (7")	1	1	1	1	615 804 443 0
2 Chisel, width 35mm (1 3/8") length 180mm (7")	1	1	1	1	615 804 444 0
3 Chisel, width 60mm (2 23/64") length 180mm (7")	1	1	1	1	615 804 445 0
4 1/2" square tool retainer				1	615 250 524 0
4 1/2" square tool retainer		1	1		615 250 525 0
5 1/2" square tool retainer				1	615 250 536 0
5 1/2" square tool retainer				1	615 250 538 0
6 Round adjustable sleeve				1	615 250 519 0
6 Round adjustable sleeve		1	1		615 250 515 0
6 Round adjustable sleeve	1				615 250 523 0
6 Round adjustable sleeve				1	615 250 535 0
7 Anvil		1	1		615 250 513 0
7 Anvil				1	615 250 516 0
7 Anvil	1				615 250 520 0
7 Anvil				1	615 250 534 0
8 ø 2mm (5/64") needle holder	1				615 250 531 0
8 ø 3mm (1/8") needle holder		1	1		615 250 532 0
8 ø 3mm needle holder				1	615 250 537 0
8 ø 2mm (5/64") needle holder				1	615 250 543 0
9 Flat tip needles, ø 4mm (5/32")	29	51	51	65	
9 Flat tip needles, ø 4mm					35
10 Pointed tip needles, ø 3mm (1/8")	12	19	19	28	
11 Chisel tip needles, ø 3mm (1/8")					49
• Hose, ID 10mm (3/8"), length 10m	1	1	1	1	1
• Hex. key 6mm (1/4")	1	1	1	1	1
• 1/4" air hose nipple for 10mm (3/8") ID hose	1	1	1	1	1
• Seal	1	1	1	1	1
• Clamp	2	2	2	2	2

Each maintenance kit includes a needle scaler and all the accessories necessary to convert it to a chisel scaler.
Various sets of chisels and needles are provided for immediate use whatever the task to be performed.



A



B



C



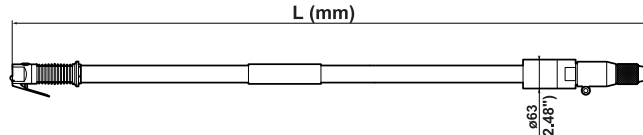
D

**Characteristics in needle scaler version **Characteristics in chisel scaler version*

PIC REF	MODEL	PART NUMBER	BORE & STROKE		NEEDLE CAPACITY *	SHANK **	BLOWS PER MINUTE	WEIGHT				AIR CONSUMPTION AT FREE SPEED		AIR INLET THREAD		HOSE INT. Ø	
			mm	in.				kg	lb.	kg	lb.	l/s	cfm	in.	mm	in.	
A	BC15	615 174 043 0	18.0 x 30.0	0.71 x 1.18	12 x 3 (1/8")	ISO 1/2 square	3800	1.6	3.5	1.5	3.3	1.4	3.0	1/4	8	5/16	
A	BC16	615 174 044 0	23.5 x 35.6	0.92 x 1.40	19 x 3 (1/8")	ISO 1/2 square	3000	2.6	5.7	2.0	4.4	2.6	5.5	1/4	10	3/8	
B	BC18	615 174 045 0	23.5 x 35.6	0.92 x 1.40	19 x 3 (1/8")	ISO 1/2 square	3000	2.6	5.7	2.0	4.4	2.6	5.5	1/4	10	3/8	
C	BC19	615 174 046 0	28.6 x 39.0	1.12 x 1.53	28 x 3 (1/8")	ISO 1/2 square	2200	3.7	8.2	3.0	6.6	3.8	8.0	1/4	10	3/8	
D	BC21	615 174 047 0	33.0 x 49.2	1.30 x 1 ¹⁵ / ₁₆	35 x 4 (5/32")	ISO 1/2 square	2200	5.6	12.3	4.0	8.8	4.0	8.5	1/4	10	3/8	



Accessories



B20-00	B20-0	B20	B20-1	B20L	B20L1
710 mm (27.95")	1100 mm (43.31")	1400 mm (55.12")	1730 mm (68.11")	1410 mm (55.51")	1710 mm (67.32")

B20-00 / B20-0 / B20 / B20-1 / B20L / B20L1

ACCESSORIES INCLUDED

- Hex. Key 6mm (1/4")
- 1/4" air hose nipple for 10mm (3/8") ID hose

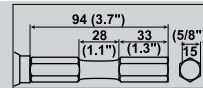
PART NO.
615 802 056 0

ACCESSORIES TO CONVERT B20 into needle scalars

ITEM	PART NO.
1 Flatnosed adjustable sleeve	615 250 518 0
2 Round adjustable sleeve	615 250 519 0
3 Intermediate casing	615 566 543 0
4 Compression spring	615 681 580 0
5 Anvil	615 250 516 0
6 Needle holder for 28 needles ø 3mm (1/8")	615 250 517 0
6 Needle holder for 35 needles ø 4mm (5/32")	615 250 533 0

OPTIONAL ACCESSORIES

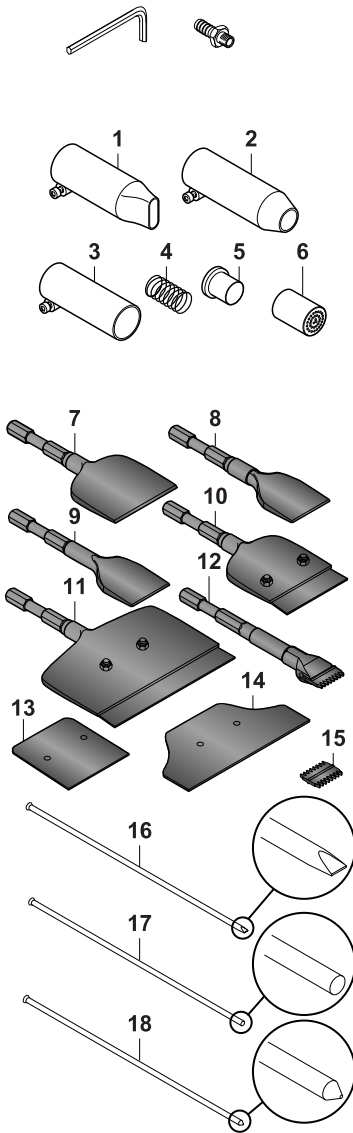
Hex. shank 5/8" chisels



ITEM	PART NO.
7 Chisel, width 100mm (3 15/16") length 180mm (7")	615 804 441 0
8 Chisel, width 50mm (1 31/32") length 180 m (7")	615 804 442 0
9 Beryllium-copper, spark-resistant chisel, width 50mm (1 31/32")	615 002 900 0
10 Scaling tool, width 100mm (3 15/16")	615 002 901 0
11 Scaling tool, width 200mm (7 7/8")	615 002 902 0
12 Comb-type chisel, width 38mm (1 1/2") length 180mm (7")	615 002 903 0
13 Spare blade, width 100mm (3 15/16")	615 250 527 0
14 Spare blade, width 200mm (7 7/8")	615 250 528 0
15 Spare comb, width 38mm (1 1/2")	615 250 539 0

Needles

ITEM	PART NO.
16 Chisel tip needles, ø 3mm (1/8") (Qty 100)	615 399 819 0
16 Chisel tip needles, ø 4mm (5/32") (Qty 100)	615 399 820 0
17 Flat tip needles, ø 2mm (5/64") (Qty 100)	615 399 816 0
17 Flat tip needles, ø 3mm (1/8") (Qty 100)	615 399 817 0
17 Flat tip needles, ø 4mm (5/32") (Qty 100)	615 399 818 0
18 Pointed tip needles, ø 3mm (1/8") (Qty 100)	615 399 821 0
18 Pointed tip needles, ø 4mm (5/32") (Qty 100)	615 399 822 0



Long reach scalers



All models: Supplied without chisel

PIC REF	MODEL	PART NUMBER	BORE & STROKE		SHANK	BLOWS PER MINUTE	WEIGHT		AIR CONSUMPTION AT FREE SPEED		AIR INLET THREAD	HOSE INT. Ø	
			mm	in.			inch	Blows/min	kg	lb.		l/s	cfm
A	B20-00	615 174 036 0	28.6 x 39.0	1.12 x 1.35	Hex. 5/8	2200	3.7	8.2	2.1	4.5	1/4	10	3/8
B	B20-0	615 174 035 0	28.6 x 39.0	1.12 x 1.35	Hex. 5/8	2200	4.9	10.8	2.1	4.5	1/4	10	3/8
C	B20	615 174 034 0	28.6 x 39.0	1.12 x 1.35	Hex. 5/8	2200	5.5	12.2	2.1	4.5	1/4	10	3/8
D	B20-1	615 174 037 0	28.6 x 39.0	1.12 x 1.35	Hex. 5/8	2200	6.1	13.5	2.1	4.5	1/4	10	3/8
LIGHTWEIGHT VERSION													
E	B20L	615 174 038 0	28.6 x 39.0	1.12 x 1.35	Hex. 5/8	2200	3.4	7.5	2.1	4.5	1/4	10	3/8
F	B20L1	615 174 039 0	28.6 x 39.0	1.12 x 1.35	Hex. 5/8	2200	3.8	8.4	2.1	4.5	1/4	10	3/8



Scalers

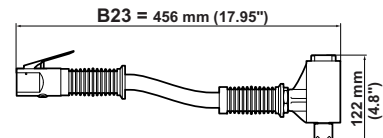
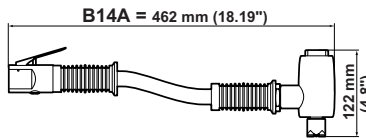
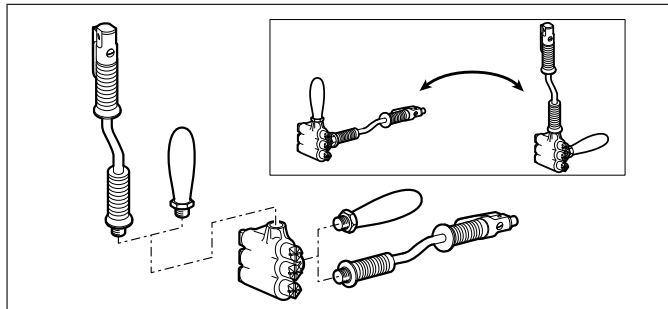
1-2430 Lucknow Drive, Mississauga, Ontario L5S 1V3. Tel: 905-672-5557 Fax: 905-672-5559
Email: sales@dobcoeqp.com www.dobcoeqp.com



A



B



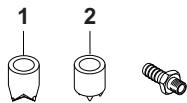
ACCESSORIES INCLUDED



- Side handle
- Nipple

	B14A	B23
Side handle	615 720 511 0	615 576 513 0
Nipple	615 720 511 0	615 720 511 0

OPTIONAL ACCESSORIES



- 1 Cross bit, conical shank
- 2 Pointed bit, conical shank
- 1/4" air hose nipple for ID hose

ITEM	B14A / B23
1 Cross bit, conical shank	615 250 545 0
2 Pointed bit, conical shank	615 250 546 0
• 1/4" air hose nipple for ID hose	615 705 006 0

All models: Supplied with cross bit

PIC REF	MODEL	PART NUMBER	BORE & STROKE		QUANTITY OF HEADS	SHANK	BLOWS PER MINUTE	WEIGHT		AIR CONSUMPTION AT FREE SPEED		AIR INLET THREAD		HOSE INT. Ø	
			mm	in.				Blows/min	kg	lb.	l/s	cfm	in.	mm	in.
A	B14A	615 174 022 0	27 x 26.5	1.06 x 1.04	1	Conical	2800	2.5	5.5	4.2	9	3/8	10	3/8	
B	B23	615 174 042 0	27 x 26.5	1.06 x 1.04	3	Conical	2800	3.7	8.1	7.5	16	3/8	10	3/8	